

N2322-15

Magnetic Saturation Power Supply

User Manual



XIAMEN NAGASIMA ELECTRONIC EQUIPMENT CO LTD

Safety Precautions



CAUTION: TO REDUCE THE RISK OF ELECTRICAL SHOCK OR ANY OTHER POSSIBLE FATAL ACCIDENT CAUSED BY IMPROPER OPERATIONS OR HANDLINGS, BE FULLY AWARE OF ALL THE FOLLOWING PRECAUTIONS.



A DANGEROUS VOLTAGE EXISTS INSIDE THE POWER SUPPLY. USE EXTREME CAUTION.



IMPORTANT INSTRUCTIONS IS PRESENT WITHIN THE TECHNICAL MANUAL.

PRECAUTIONS:

- ⌚ REFER TO USER'S MANUAL BEFORE WORKING WITH THIS UNIT.
- ⌚ INSTALLATION AND/OR OPERATION OF THE UNIT MUST BE PERFORMED ONLY BY QUALIFIED PERSONNEL.
- ⌚ ALWAYS USE PROPER LIFTING TECHNIQUES WHENEVER HANDLING THE UNIT.
- ⌚ DO NOT CONNECT THE AC INLET WHILE SERVICING THE UNIT OR INSTALLING THE UNIT.
- ⌚ ALWAYS WEAR INSULATING GLOVES AND FACE SHIELD WHENEVER WORKING WITH THE UNIT.
- ⌚ THE UNIT MUST BE WELL EARTHED BEFORE PROCEEDING WITH INSTALLATION OR OPERATION. FAILURE TO DO SO CAN CAUSE ELECTRICAL SHOCK.
- ⌚ THE UNIT SHOULD BE PLACED UPRIGHT DURING INSTALLATION AND OPERATION SO AS TO DISPERSE HEAT GENERATED BY THE UNIT.
- ⌚ HOUSING OF THE UNIT IS POLE-MOUNT. ITS INSTALLATION MUST BE FIRM AND RELIABLE TO PREVENT FALLING FROM POLE.
- ⌚ PLACE FOR INSTALLATION OF THE UNIT MUST BE VENTILATED AND AWAY FROM FLAMMABLE, EXPLOSIVE AND CORROSIVE MATERIAL.
- ⌚ WIRING OF THE UNIT AND CONNECTION OF OUTPUT PORTS MUST BE FIRM AND RELIABLE. FAILURE TO DO SO MAY CAUSE FIRE.
- ⌚ VERIFY INPUT VOLTAGE OF UNIT AND THEN GIVE THE UNIT CORRECT INPUT VOLTAGE BEFORE POWERING IT ON.
- ⌚ ALWAYS REFER TO SUPPLIER'S RECOMMENDATION WHENEVER REPLACING SPARE PARTS OF THE UNIT.
- ⌚ UNAUTHORIZED ALTERATION OR REPAIR IS NOT ALLOWED. IT MAY CAUSE UNREPAIRABLE TROUBLES. THE SUPPLIER DOES NOT ASSUME ANY RESPONSIBILITY FOR THESE KINDS OF TROUBLES.
- ⌚ WHEN THE UNIT IS WORKING, PLEASE TAKE OUT FUSE OF OUTPUT PORT, WHERE OUTPUT VOLTAGE IS NOT PRESENT.

Features

- ⌚ Ferroresonant transformer (CVT) *
- ⌚ Weather-resistance powder-coated housing
- ⌚ Pole mount and wall mount installations **
- ⌚ Short-circuit protection & alarm
- ⌚ Automatically recovery ***
- ⌚ Lightning protection ****
- ⌚ Two output ports (5/8" female) *****
- ⌚ User-selectable multiplex output voltage *****
- ⌚ User-selectable output mode (Single/Double Way Output Selections)
- ⌚ Easy reading ampere & voltage meters *****
- ⌚ Power feed injector *****

* Ferroresonant transformer features stable and fully regulated output voltages.

** Pole mount installation is available as an optional feature. Please refer to Installation for details.

*** The unit resumes working automatically after overload/short-circuit or other problems are removed.

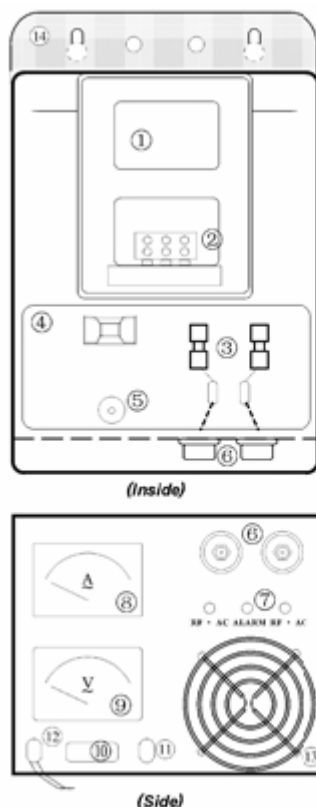
**** The unit resists some certain lightning strikes.

***** 3/8" female and terminal block are available as optional output ports.

***** It is to say several output voltages are present. User selects output voltage by rewiring terminal block.

***** These features are optional and only available on some models.

Diagrammatic View



CATV Power Supply

- ① Ferroresonant Transformer (constant-voltage)
- ② Terminal Block (FYGD-CXAS only)
- ③ Fuses (for output)
- ④ Main Circuit Board
- ⑤ Buzzer
- ⑥ Output Ports (5/8" female)
- ⑦ LED Indicators
- ⑧ Ampere Meter
- ⑨ Voltage Meter
- ⑩ Switch or MCB
- ⑪ Fuse (for input)
- ⑫ Utility Power
- ⑬ Efficient Cooling Fan
- ⑭ Fixing Block (for installation)

* Only main components are listed here.

<Figure-1>

* Configurations vary with different models.

Specifications

Model	Input Voltage (VAC)	Output Voltage (VAC)	Connectors (A)	Max Working Current (A)	Protecting Current of Overload (A)	Time of Auto Restoration(min)
N2322-15A	80~130	60	F-(f)	15	18	5~10

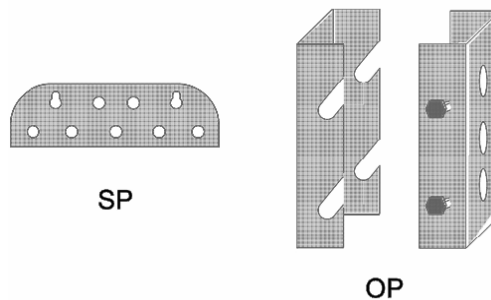
Installation

I. Installation Note

1. Installation of the unit must be performed only by qualified personnel.
2. Please strictly follow installation directions.
3. Installation of the unit must be firm and reliable so as to prevent falling from installation location. Failure to do so can damage the unit and may injure passerby under the unit. NEE DOES NOT assume any responsibility for this.

II. Installation Package

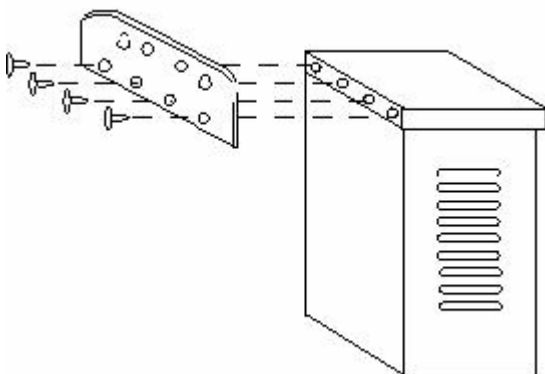
NEE supplies two kinds of installation package: Standard Package (SP) and Optional Package (OP). SP includes a fixing block and screws that is suitable for installation on the wall, while OP includes two U Stands and screws that are suitable for both on the wall and on the pole. Quantity, size and types of screws of each package vary with different model. Installation package depends on supplier's choice when customers' instructions are not available.



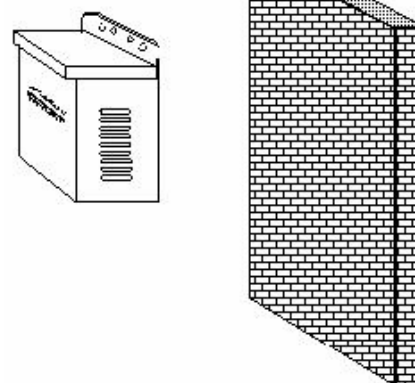
<Figure-2>

III. SP Installation

1. Use screws to fix Fixing Block on the back of housing. (Figure-3)
2. Fix the unit on the wall. (Figure-4)



<Figure-3>

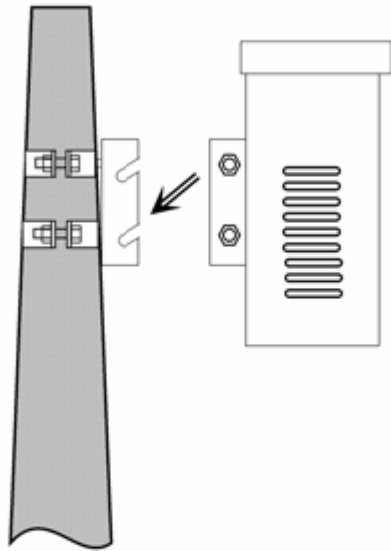


<Figure-4>

Installation (continued)

IV. OP Installation

Pole Mount Installation

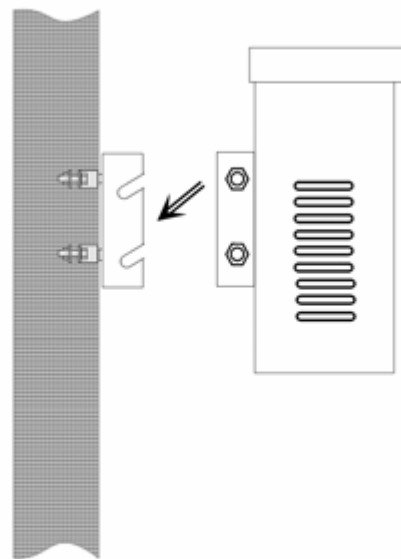


1. Use suitable expanding screw to fix base of stand on the pole.
2. Put the unit in proper direction on the base of stand.

Note:

- ★ Please make sure the installation is firm enough to prevent falling from the pole.
- ★ We recommend you use expanding screw to fix the base of stand.

Wall Mount Installation



1. Use suitable expanding screw to fix base of stand on the wall.
2. Put the unit in proper direction on the base of stand.

Note:

- ★ Please make sure the installation is firm enough to prevent falling from the wall.
- ★ We recommend you use expanding screw to fix the base of stand.

Operation

Verify input voltage that the unit requires and feed it utility power.

Power on the unit and check its output voltage and current.

Use suitable cable and connectors to connect the unit with the loads.

NOTE

If you have any questions or need further information, please feel free to contact us:

NAGASIMA ELECTRONIC EQUIPMENT CO., LTD.

ADD: NEE Building, 39 Xiangyue Rd,

Torch Xiang-An Industrial Park,

Xiamen, P.R.C. Post Code: 361001

TEL: +86-592-5771182, 5771892

FAX: +86-592-5032560

Web: www.necatv.com

Email: necatv@vip.sina.com