

N2218

Two Way Trunk Amplifier

User Manual



XIAMEN NAGASIMA ELECTRONIC EQUIPMENT CO LTD

CATV Two Way Trunk Amplifier



Figure 1

1. Features :

- Uses two high quality Philips hybrid amplification modules (push-pull + power doubler) for forward direction at a 860MHz bandwidth.
- Plug-in duplex filters are capable of two way transmission
- Reverse bandwidth 5-40/ 5-65 optional
- Two outputs which can plug-in direction coupler to change output value.
- One input and two outputs are all equipped with arresters which reduce electrical surges that cause mechanical breakdowns
- Both the input and output have testing points (-20dB).
- Input, output all equipped with arrestors which reduce sudden electrical surges that cause mechanical breakdowns.
- Allow forward, backward power supply.
- Uses high efficiency switch power. Indicator lights can assist you to monitor the power supply

2. Block Diagram

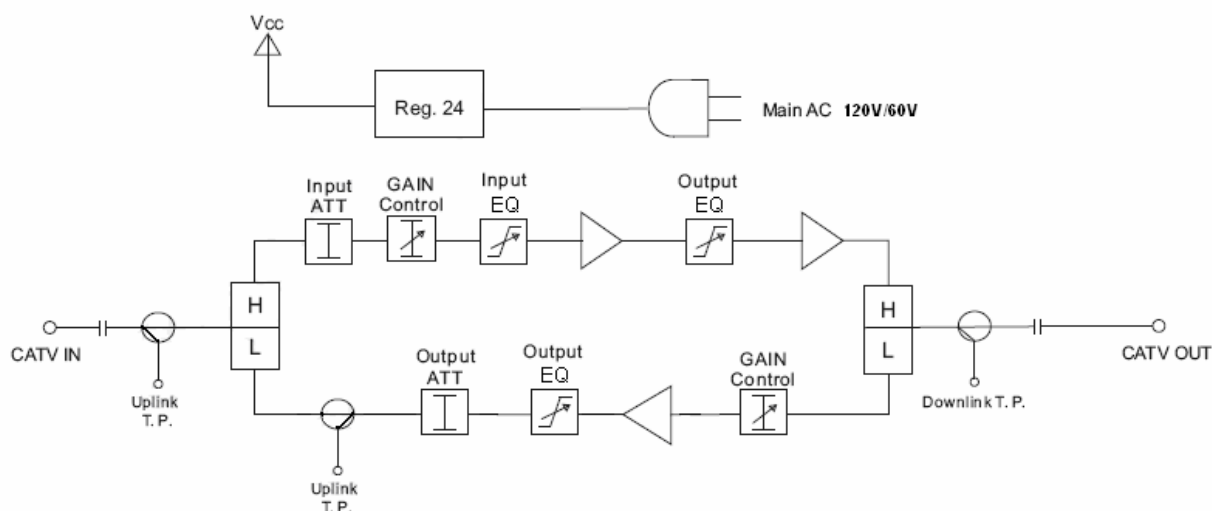
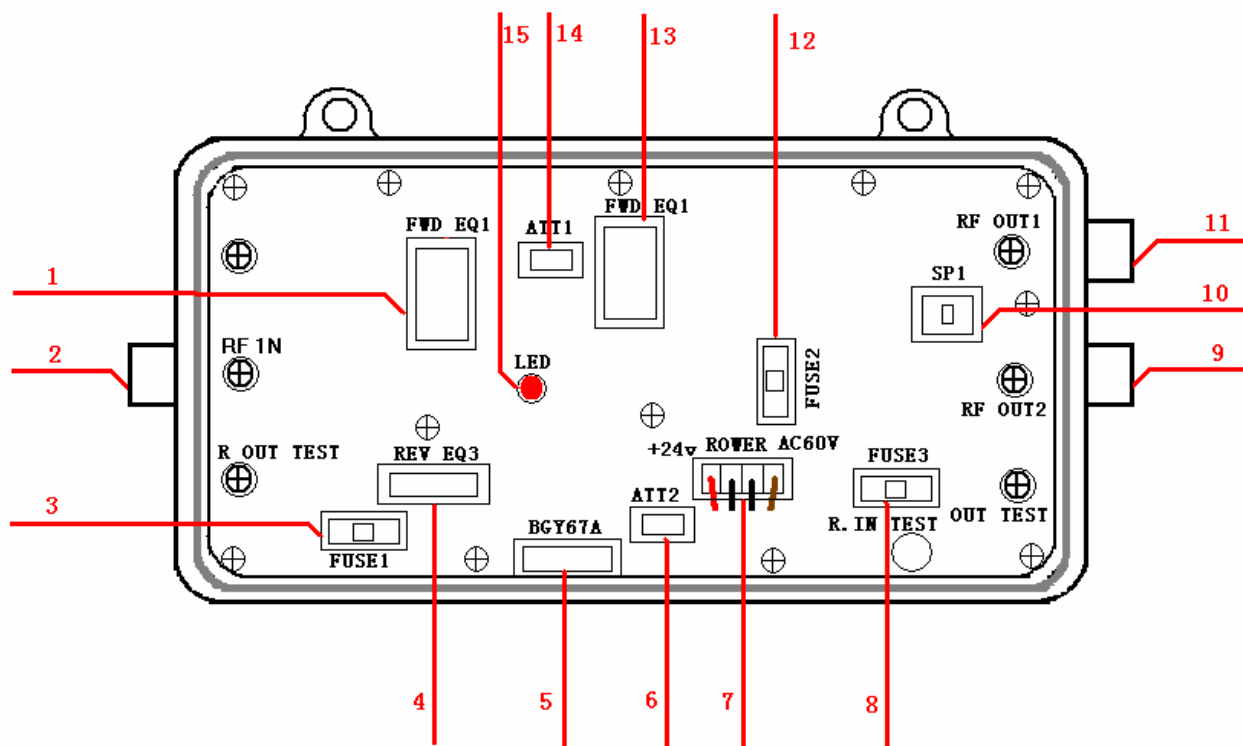


Figure 2

3. Specifications:

MODEL	FORWARD	REVERSE
Module	Push-pull + power doubler	Push-pull
Band width (MHz)	54/87-860	5-54/5-65
Typical gain (dB)	34±1.0	18±0.5
Freq response (dB)	±0.75	±0.75
Hum mod (@6A) (dB)	-70	-66
Return loss (dB, min)	16	16
Max current passing (A)	15	--
Typical current requirement (A)	0.78@24VDC	0.23@24VDC
Input level (dBμV)	35-90	--
Output level (dBμV)	98	96
Optional tilt	0~18(3dB chip step)	--
Optional gain	0~20(3dB chip step)	17
Internal tilt	6dB	
Noise figure @ low end	7.5	5.9
Noise figure @ high end	10.6	5.9
CTB	-77 (@59 PAL CH)	88 (@3PAL CH)
X-MOD	-73 (@59 PAL CH)	82 (@3PAL CH)
CSO	70 (@59 PAL CH)	80 (@3PAL CH)

4. Structure



- | | |
|---------------------------------|---|
| 1. Forward EQ | 9. RF Out2 |
| 2. RF INPUT | 10. Output Splitter & Directional Coupler |
| 3. RF INPUT Fuse | 11. RF Out1 |
| 4. REVERSE EQ | 12. Output Fuse |
| 5. Reverse Amplifying Modulator | 13. Forward EQ |
| 6. Reverse Attenuator | 14. Forward Attenuator |
| 7. Power Cord | 15. Power Indicator |
| 8. Output Fuse | |

NOTE

If you have any questions or need further information, please feel free to contact us:

NAGASIMA ELECTRONIC EQUIPMENT CO., LTD.

ADD: NEE Building, 39 Xiangyue Rd,

Torch Xiang-An Industrial Park,

Xiamen, P.R.C. Post Code: 361001

TEL: +86-592-5771182, 5771892

FAX: +86-592-5032560

Web: www.neecatv.com

Email: neecatv@vip.sina.com