

N2118

Line Extender

User Manual



XIAMEN NAGASIMA ELECTRONIC EQUIPMENT CO LTD

CATV Line Extender



Figure 1

1. Features :

- Uses high quality push-pull hybrid amplification module system at a 860MHz bandwidth.
- Both the input and output have testing points (-20dB).
- Input, output are all equipped with arrestors which reduce sudden electrical surges that cause mechanical breakdowns.
- Allow forward, backward power supply.
- Uses high efficiency transformer / switch power, 60VAC or 50VAC powering can be chosen.

2. Block Diagram

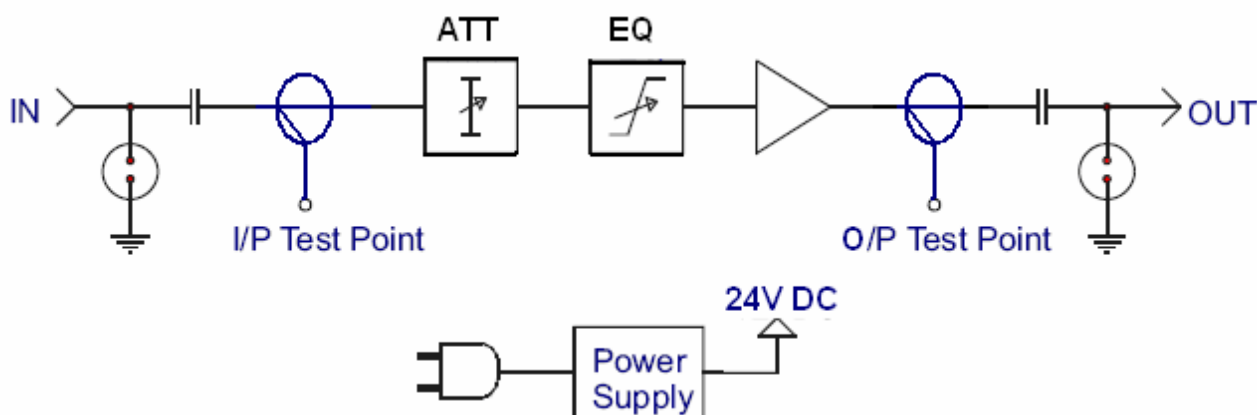


Figure 2

3. Specifications:

Model	Forward
Freq Band (MHz)	47-860
MAX Gain (dB)	33±0.5
Flatness (dB)	±0.5
Rated Input Level (dB μV)	70
Rated Input Level (dB μV)	98
CSO (dB)	-52
CTB (dB)	-51
HUM Modulation	-50
Noise Figure	7
Return Loss (dB)	≥15
Gain Attenuation (dB)	0→18dB
Tilt Adjustment (dB)	1→17
Power Supply	60VAC
Impedance	75 Ω
Size	205x130x61mm
Weight	2Kg/pcs

4. Structure

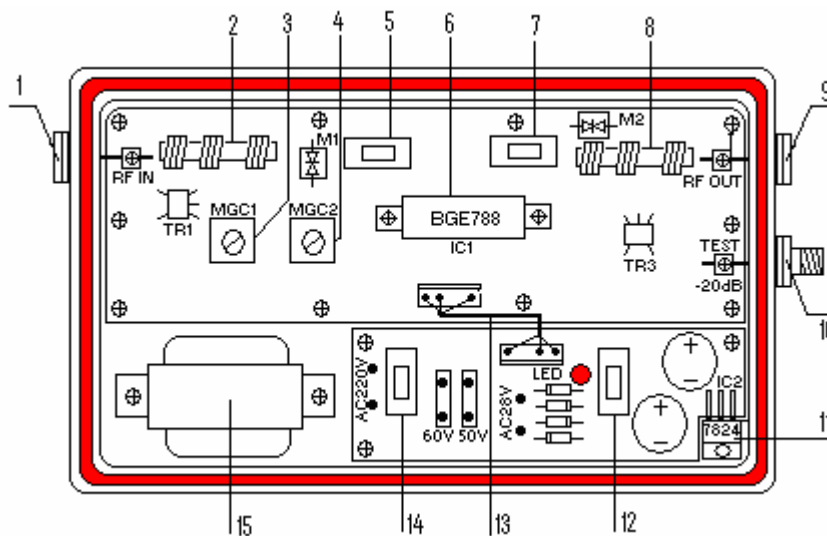


Figure 3

- | | |
|-------------------------------|--------------------------|
| (1) RF input | (9) RF output |
| (2) Input power passing coil | (10) RF output test port |
| (3) Tilt adjustor | (11) 24V regulator |
| (4) Gain attenuator | (12) 24V power fuse |
| (5) Input power passing fuse | (13) Inner power line |
| (6) Amplification module | (14) AC60V power fuse |
| (7) Output power passing fuse | (15) Transformer |
| (8) Output power passing coil | |

5. Usage Tips

- Check the power supply type when uncover the amplifier, set the fuse according to power passing need.
- Check the input level (should less than 80 dB μ V) before connecting the power.
- Insert RF IN, connect power, than check the RF output, adjust the tilt and attenuator to meet the design requirements.
- The max output level should not exceed 100 dB μ V.

NOTE

If you have any questions or need further information, please feel free to contact us:

NAGASIMA ELECTRONIC EQUIPMENT CO., LTD.

ADD: NEE Building, 39 Xiangyue Rd,

Torch Xiang-An Industrial Park,

Xiamen, P.R.C. Post Code: 3610001

TEL: +86-592-5771182, 5771892

FAX: +86-592-5032560

Web: www.neecatv.com

Email: neecatv@vip.sina.com