

N1384

Outdoor Optical Receiver

User Manual



XIAMEN NAGASIMA ELECTRONIC EQUIPMENT CO LTD

Outdoor Optical Receiver



1. Feature

- Four RF output, 102dB μ V max @ -2dBmW optical input
- Independent E-O transformer
- Optical attenuator and power indicator inside
- RF amplifier: high quality Philips hybrid amplification modules (push-pull+power doublerX2) at 860MHz bandwidth.
- Plug-in 12dB directional coupler or splitter can be chosen for two groups of outputs
- Four outputs are all equipped with arrestors which reduce sudden electrical surges that cause mechanical breakdowns.
- Allow 30-90VAC power supply.
- Uses high efficiency switch power. Indicator lights can assist you to monitor the power supply
- strand or pedestal installation

2. Block Diagram

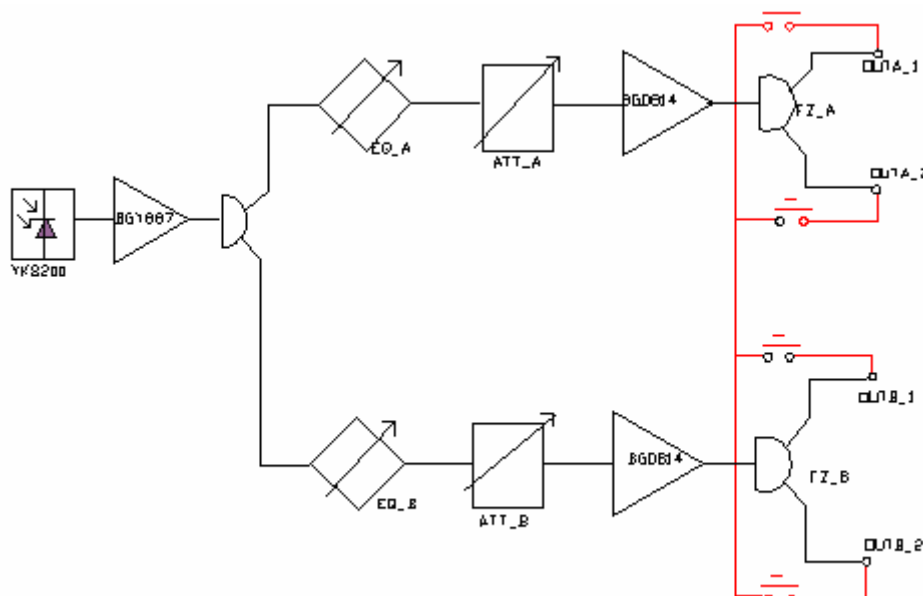


Figure 1

3. Specification

MODEL	Unit	N1284
Input Optical Power	dBmw	-7~+2
Optical Return Loss	dB	>45
Wavelength	nm	1100~1600
Optical Fiber Connector	/	FC/APC
Operating Fiber Type	/	One Pattern
RF Frequency Band	MHz	45~862
RF Flatness In Band	dB	±0.75
RF Output Level	dB μ V	84~104
C/N Carrier To Noise Ratio	dB	≥51
Composite Triple Beat (84PAL-D)	dB	-65
Composite Second Order (84PAL-D)	dB	-62
Return Loss	dB	47~550MHz; ≥16 550~750Mz; ≥14
Output Impedance	Ω	75
Thunder Stroke Immunity	KV	5(10/700 μ S)
RF output Port		4

4. Structure

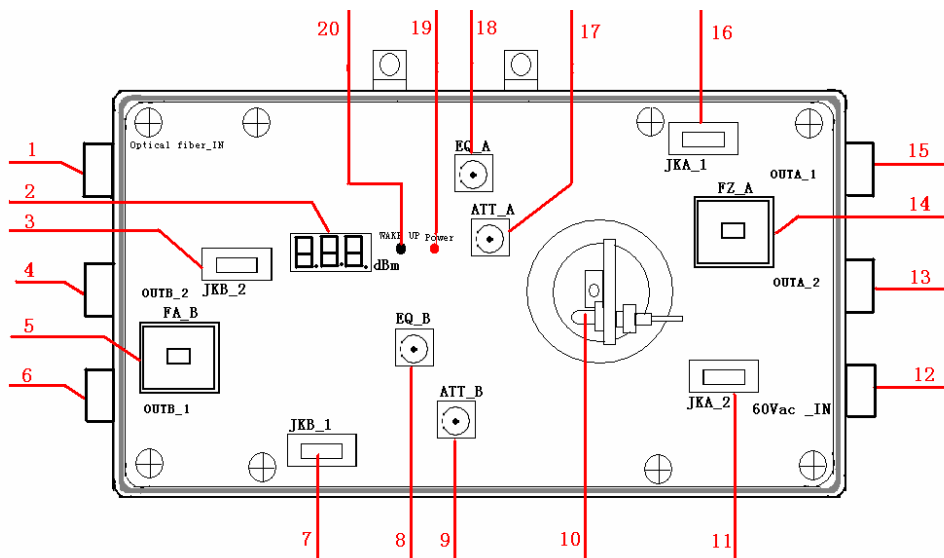


Figure 2

(1) OPTICAL FIBER IN

(11) OUTPUT A-2 AC POWER JUMPER

- | | |
|--|---|
| (2) LED OPTICAL LEVEL DISPLAY | (12) 60VAC IN |
| (3) OUTPUT B-2 AC POWER JUMPER | (13) OUTPUT A-2 |
| (4) OUTPUT B-2 | (14) Plug-in directional coupler/splitter for A-1/2 |
| (5) Plug-in directional coupler/splitter for B-1/2 | (15) OUTPUT A-1 |
| (6) OUTPUT B-1 | (16) OUTPUT A-1 AC POWER JUMPER |
| (7) OUTPUT B-1 AC POWER JUMPER | (17) ADJUSTABLE ATT for A-1/2 |
| (8) ADJUSTABLE EQ for B-1/2 | (18) ADJUSTABLE EQ for A-1/2 |
| (9) ADJUSTABLE ATT for B-1/2 | (19) Power Indicator |
| (10) FIBER Connector | (20) WAKE UP Button for LED optical level display |

NOTE

If you have any questions or need further information, please feel free to contact us:

NAGASIMA ELECTRONIC EQUIPMENT CO., LTD.

ADD: NEE Building, 39 Xiangyue Rd,

Torch Xiang-An Industrial Park,

Xiamen, P.R.C. Post Code: 361001

TEL: +86-592-5771182, 5771892

FAX: +86-592-5032560

Web: www.neecatv.com

Email: neecatv@vip.sina.com